

- Non-spring return actuators, for operation of DN80... 100 Butterfly valves
- Torque 20 Nm
- Open/Close control: SRVU24(-S), SRVU230(-S)
- Modulating control: SRVU24-SR

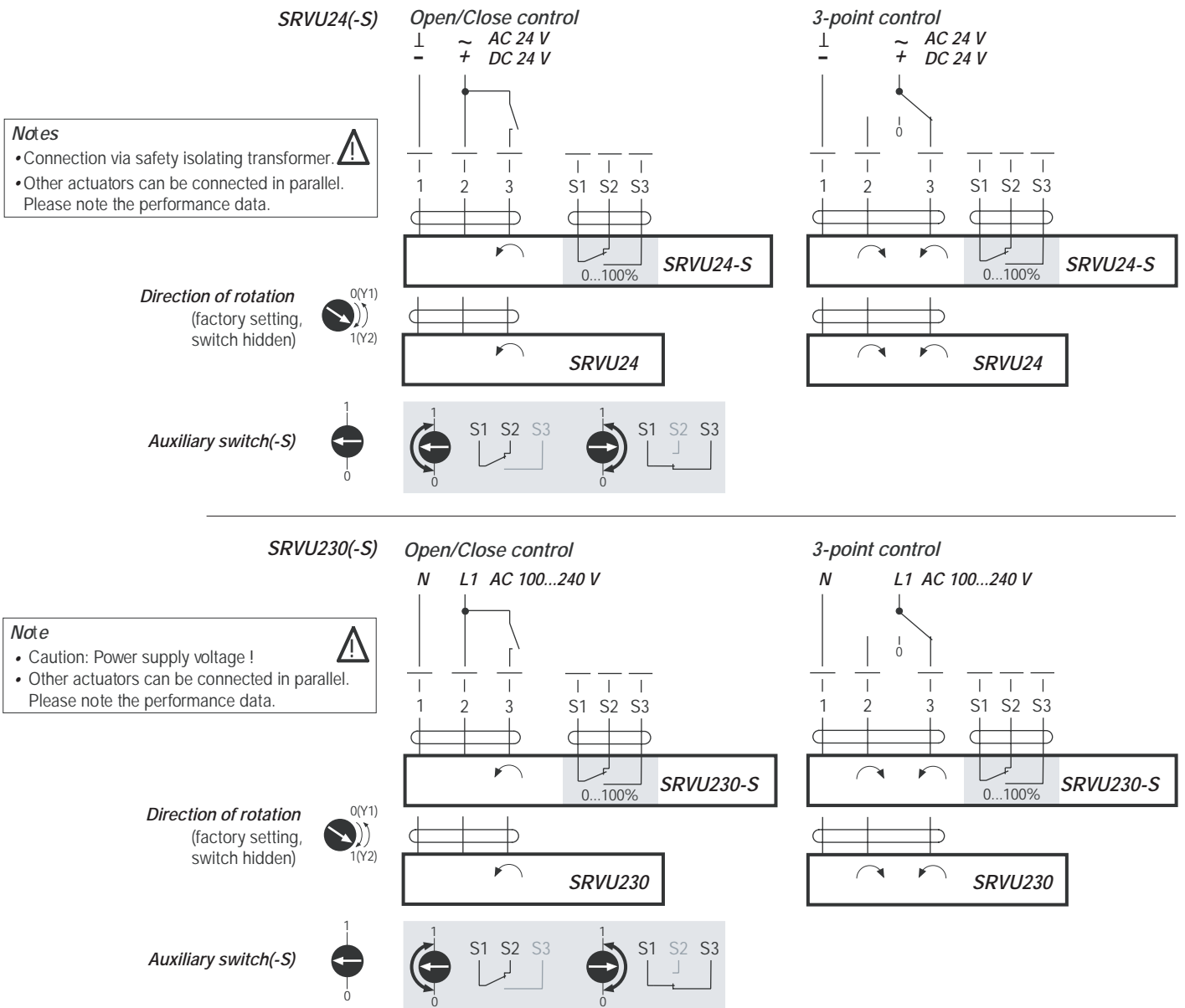

Technical data

SRVU24(-S)	Nominal voltage	AC 24 V 50/60 Hz, DC 24 V
	Nominal voltage range	AC/DC 19.2 ... 28.8 V
	Power consumption - running	2.5 W
	- holding	0.2 W
	For transformer/wire sizing	5.5 VA
	Connecting cable - Motor	Cable 1 m, 3 x 0.75 mm ²
	- Auxiliary switch(-S)	Cable 1 m, 3 x 0.75 mm ²
	Protection class	III (safety low voltage)
	Weight	SRVU24 approx 1000g, SRVU24-S approx 1050g
SRVU230(-S)	Nominal voltage	AC 100...240 V 50/60 Hz
	Nominal voltage range	AC 85...265 V
	Power consumption - running	3.0 W
	- holding	0.6 W
	For wire sizing	7 VA
	Connecting cable - Motor	Cable 1 m, 3 x 0.75 mm ²
	- Auxiliary switch(-S)	Cable 1 m, 3 x 0.75 mm ²
Protection class	II (Totally insulated) <input type="checkbox"/>	
Weight	SRVU230 approx 1050g, SRVU230-S approx 1100g	
SRVU24-SR	Nominal voltage	AC 24 V 50/60 Hz, DC 24 V
	Nominal voltage range	AC/DC 19.2 ... 28.8 V
	Power consumption - running	2.5 W
	- holding	0.4 W
	For transformer/wire sizing	5 VA
	Connecting cable	Cable 1 m, 4 x 0.75 mm ²
	Control signal Y	DC 0...10 V @ input resistance 100K Ω
	Operating range	DC 2...10V
	Measuring voltage U	DC 2...10V@max. 1mA
	Synchronisation	\pm 5%
	Protection class	III (safety low voltage)
Weight	1050 g	
Common technical data	Torque	Min. 20 Nm @ nominal voltage
	Auxiliary switch (SRVU..-S)	1xSPDT 1 mA ... 3 (0.5) A, AC 250 V <input type="checkbox"/> 0..100% adjustable
	Angle of rotation	max. 90°
	Direction of rotation	Pre-setting to close (switch hidden under a label)
	Sound power level	max. 45 dB(A)
	Position indicator	mechanical, remote visible
	Manual override	Gearing disengaged by pressing the pushbutton, manual operate while the button is held depressed
	Running time	90 s
	Mode of operation	EN 60730-1 Type 1
	Ambient temp.	-30°C...+ 50°C
	Non-operation temp.	-40°C...+ 80°C
	Humidity test	95% RH, non condensing (EN 60730-1)
	Degree of protection	IP54 in any direction
	EMC	CE according to 89/336/EEC
	Low Voltage Directive	CE according to 73/23/EEC
	Maintenance	maintenance free

Product features

- Mode of operation** SRVU24-SR is controlled by means of a standard control signal DC 0...10V and travels to the position defined by this signal. The measuring voltage U allows the valve position (0...100%) to be electrically indicated and serves as a follow-up control signal for other actuators.
- Adjustable angle of rotation** Adjustable angle of rotation with mechanical end stops.
- High functional reliability** The actuator is overload-proof, requires no limit switches and automatically stops when the end stop is reached.
- Flexible signalization** Flexible signalization of the SRVU...-S with adjustable auxiliary switch (0...100%)
- Simple mounting** Includes WD6-NRSR linkage kit, see page 28.

Wiring diagrams

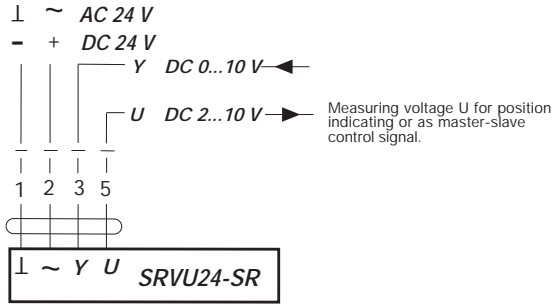


SRVU24-SR *Modulating control*

Notes

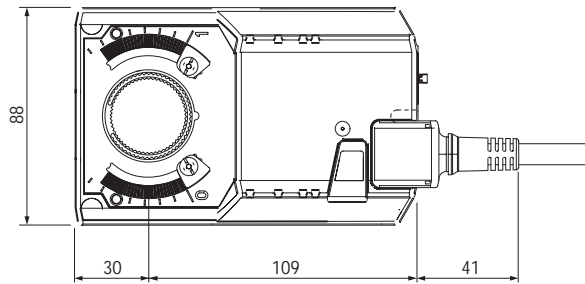
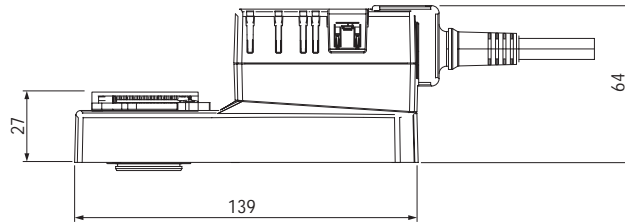
- Connection via safety isolating transformer.
- Other actuators can be connected in parallel. Please note the performance data.

Direction of rotation
(factory setting, switch hidden)



Dimensions *Unit [mm]*

SRVU24
SRVU230
SRVU24-SR



SRVU24-S
SRVU230-S

